

VEHICLE EQUIPMENT

For professional users of Toyota PROACE



ORSY.mobil

More space for your
craft and your service

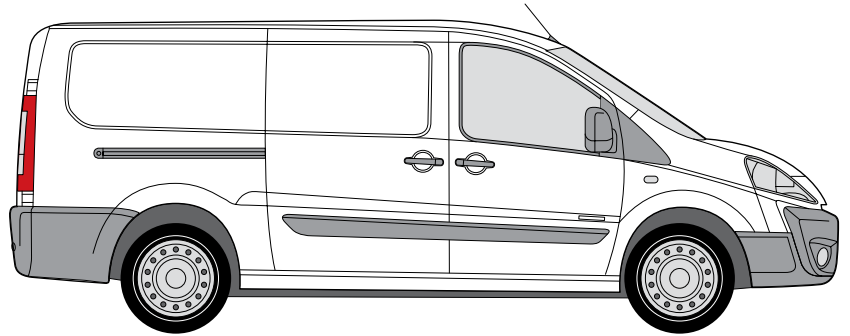
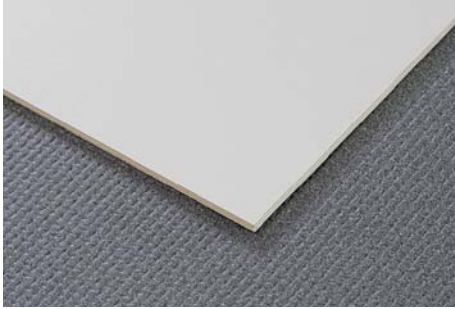


TOYOTA PROACE

Wheel base: 3,000 mm

Wheel base: 3,122 mm

DRIVER SIDE (LEFT)



Multiplex Floor Panel, 10 mm

- Highly anti-slip
- Fits the vehicle perfectly
- Drilling through vehicle floor not necessary
- Abrasion resistant, sturdy and easy to clean

Art. No. 0963 130 028 (for wheel base 3,000 mm)

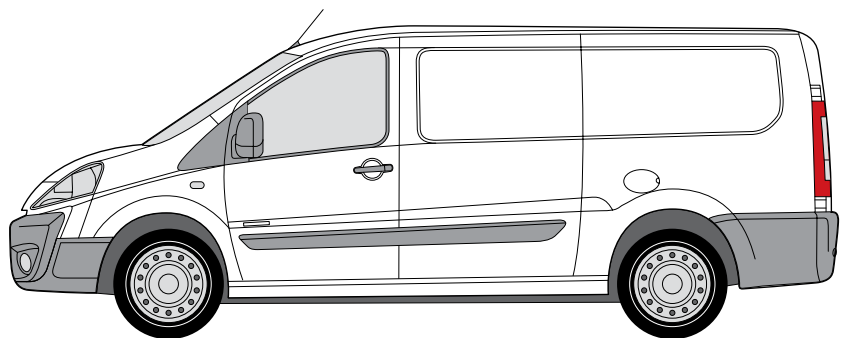
Art. No. 0963 130 029 (for wheel base 3,122 mm)

Side Wall Paneling

- Protects the vehicle from damage from the inside
- Fits the vehicle perfectly

on request

PASSENGER SIDE (RIGHT)





VMB02 Module Block

- 1 substructure with alum. panel
- 2 alum. storage shelves with partition panels and anti-slip mats
- 1 alum. frame top with partition panels and anti-slip mat
- 1 attachment set
- Dimensions (W x H x D): 1,390 x 1,130 x 380 mm
- Weight: 22 kg

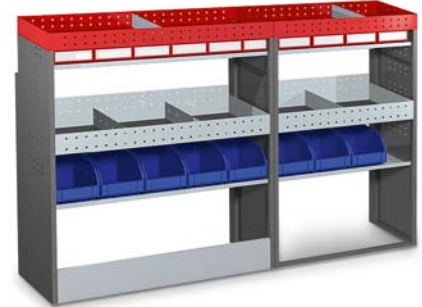
Art. No. 0963 60 402



VMB03 Module Block

- 1 substructure with alum. flap
- 1 alum. storage shelf with partition panels and anti-slip mat
- 2 alum. drawers with anti-slip mats
- 1 sliding case shelf (case not incl.)
- 1 alum. storage shelf with alum. flap and anti-slip mat
- 1 alum. frame top with partition panels and anti-slip mat
- 1 attachment set
- Dimensions (W x H x D): 1,390 x 1,130 x 380 mm
- Weight: 39 kg

Art. No. 0963 60 403



VMB16 + VMB17 Module Blocks

- 1 substructure with alum. panel
- 1 substructure with spacer strut
- 2 alum. shlvs. w/ 380 mm blue storage boxes (5 + 3)
- 2 alum. storage shelves with partition panels and anti-slip mats
- 2 alum. shlvs. w/ 330 mm storage boxes (6 + 4)
- 2 alum. frame tops with partition panels and anti-slip mats
- 2 attachment sets
- Dimensions (W x H x D): 1,112 + 834 x 1,250 x 380 mm
- Weight: 76 kg

Art. No. 0963 60 416 *

Art. No. 0963 60 417 *

*Not suitable for PROACE, Wheel base: 3,000 mm



VMB01 Module Block

- 1 substructure with alum. flap
- 4 alum. drawers with anti-slip mats
- 2 sliding case shelves (cases not incl.)
- 1 alum. frame top with partition panel and anti-slip mat
- 1 attachment set
- Dimensions (W x H x D): 1,112 x 980 x 380 mm
- Weight: 40 kg

Art. No. 0963 60 401



VMB05 Module Block

- 1 substructure with alum. flap
- 2 alum. storage shelves with alum. flap and anti-slip mats
- 3 alum. drawers with anti-slip mats
- 1 sliding case shelf (case not incl.)
- 1 alum. frame top with partition panel and anti-slip mat
- 1 attachment set
- Dimensions (W x H x D): 1,112 x 980 x 380 mm
- Weight: 39 kg

Art. No. 0963 60 405



VMB18 Module Block

- 1 substructure with alum. flap
- 2 alum. drwr. w/ partition panels & anti-slip mats
- 2 sliding case shelves (cases not incl.)
- 1 alum. storage shelf with alum. flap and anti-slip mat
- 2 alum. shelves, each with six 330 mm storage boxes
- 1 alum. frame top with partition panel and anti-slip mat
- 1 attachment set
- Dimensions (W x H x D): 1,112 x 1,250 x 380 mm
- Weight: 68 kg

Art. No. 0963 60 418

VEHICLE EQUIPMENT

For professional users of Toyota PROACE

Adolf Würth GmbH & Co. KG
Vehicle Equipment
Dimbacher Straße 42
74182 Obersulm-Willsbach,
Germany
Phone: +49 (0) 7134 9834-0
Fax: +49 (0) 7134 9834-22
info@orsymobil.de
www.orsymobil.com

© by Adolf Würth GmbH & Co. KG
Printed in Germany.
All rights reserved.
Responsible for content:
VLO Dept./Dirk Speidel
Editors: GMV Dept./Anja Fenzl-Weisler

Reprinting, in whole or part, is only possible with permission.
GMV-MWC-D0066-05/13

We reserve the right to make product changes at any time which we feel provide a quality improvement, even without prior announcement or notification.
Illustrations may be example illustrations which differ in appearance from the goods supplied. Errors excepted. We assume no liability for printing errors.
Our General Terms and Conditions apply.

